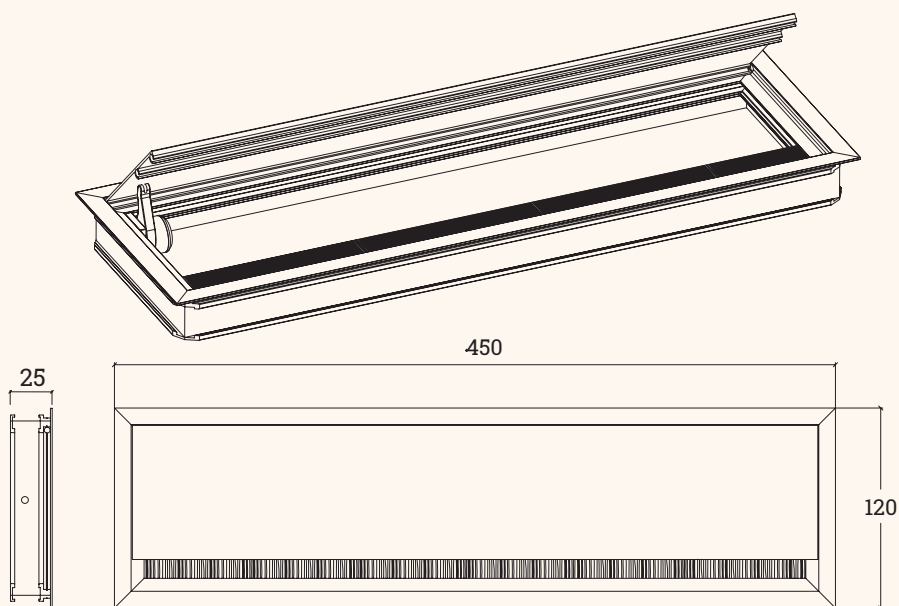


Aluminium cable outlet with customizable flap cover

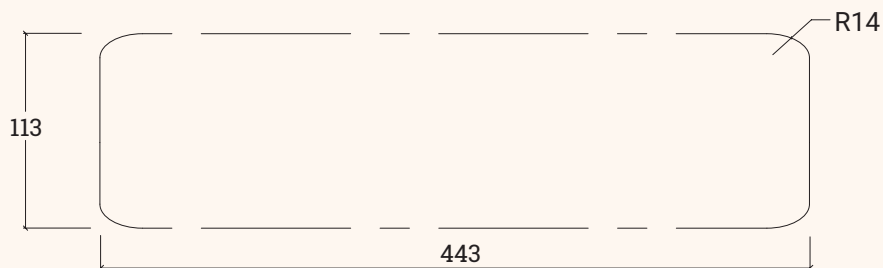
- ✔ Soft close mechanism and brush seal
- ✔ Flap cover customizable with 70x428x3 mm insert
- ✔ Radius 14 in the cut out
- ✔ 25 mm thickness profile



Technical Drawings



Drilling pattern



Article	Description	Dimensions	Colour	Item No.
EXIT Semi	Cable outlet, soft close mechanism, customizable flap cover, black brush seal	450x120x25	aluminium	201 106531